

**VCX  
SERIES  
Claw Vacuum Pumps**

**VCX- 105, 155**



**Dry Running - Oil Free – Contact Free Design**

- **Simple Modular Construction**
- **Air cooled & Direct Driven**
- **Low maintenance – No wear**
- **High Efficiency – Continuous Duty**

**Applications:**

Packaging, CNC Routing, Wood Works, Pneumatic Conveying, Holding & Lifting, Pick and Place, Medical & Lab., Plastics Industries, Central Vacuum Systems.

**Safety:** CE certified (DOC)



**General Description:**

The VCX Series pumps are dry contact-less vacuum pumps with modular constructions consisting of compartments: pumping and gear chambers are separated by using labyrinth seals., As two claws rotate in opposite direction, the air will be sucked in the pumping chamber, compressed and discharged under pressure. In gear chamber, two gears for synchronizing of claws rotation will be placed with appropriate oil lubrication. A built in anti-suck back valve installed in inlet flange will prevent the air from flowing back into the vacuum chamber when the pump is shutdown. The pumps are directly driven by a flanged motor via a coupling.

**Specifications:**

| Model                        |          | VCX 105  | VCX 155 |
|------------------------------|----------|--|---------|
| M3/ Hour                     | 60Hz     | 120  | 180     |
|                              | 50Hz     | 100  | 150     |
| Ulti. Va. Max.               | Torr     | 722.5 Torr gage (50mbar abs )                        |         |
| Ulti. Va. Conti.             | Torr     | 647.5  |         |
| Kw                           | 60Hz     | 2.2  | 3.4     |
|                              | 50Hz     | 1.8  | 2.8     |
| RPM (motor)                  | 60/50Hz  | 3450 / 2850  |         |
| Voltage Available            |          | 208~230/460V, 220~240 / 380~420V, 400/690V           |         |
| dB(A), Max<br>+- 3 tolerance | 60Hz     | 76   | 77      |
|                              | 50Hz     | 71   | 73      |
| Oil Capa (Gear box)          | Ltr      | 0.5  |         |
| Inlet / Outlet Conn.         | **BSP(G) | 1-1/2"   |         |
| W x H (mm)                   |          | 435 x 562  |         |
| L* (mm)                      | 60Hz     | 837  | 862     |
|                              | 50Hz     | 814  | 837     |
| Amb. Operating Temp.         | (°C)     | 5°C ~40°C  |         |
| Accessories                  |          | Non Return Valve, Vacuum Regulator, Exhaust Silencer |         |

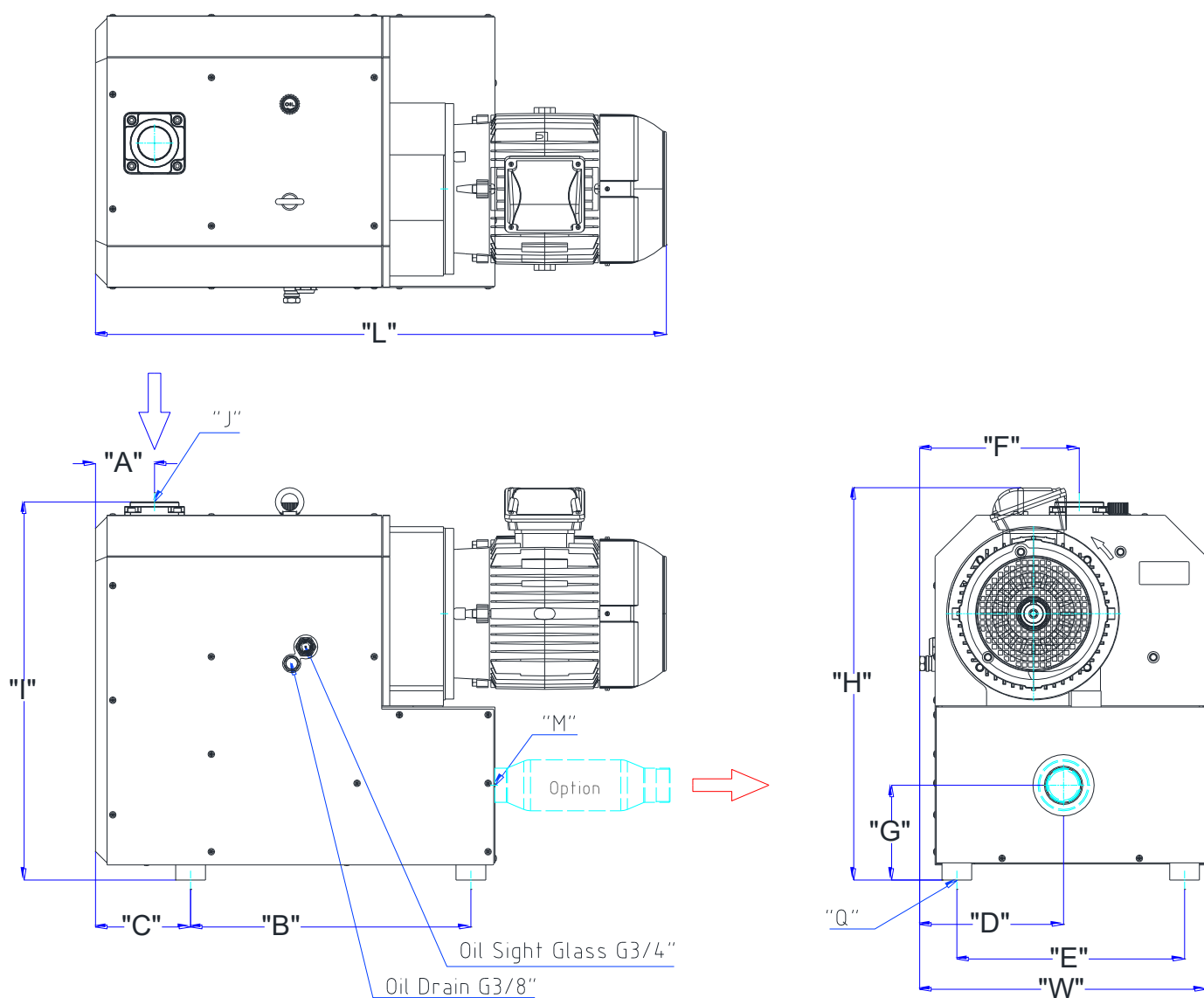
Note: 1) \* Length varies to motor mfg 2) \*\*NPT threads available upon request

# VCX SERIES Claw Vacuum Pumps



## VCX- 105, 155

### Dimensions



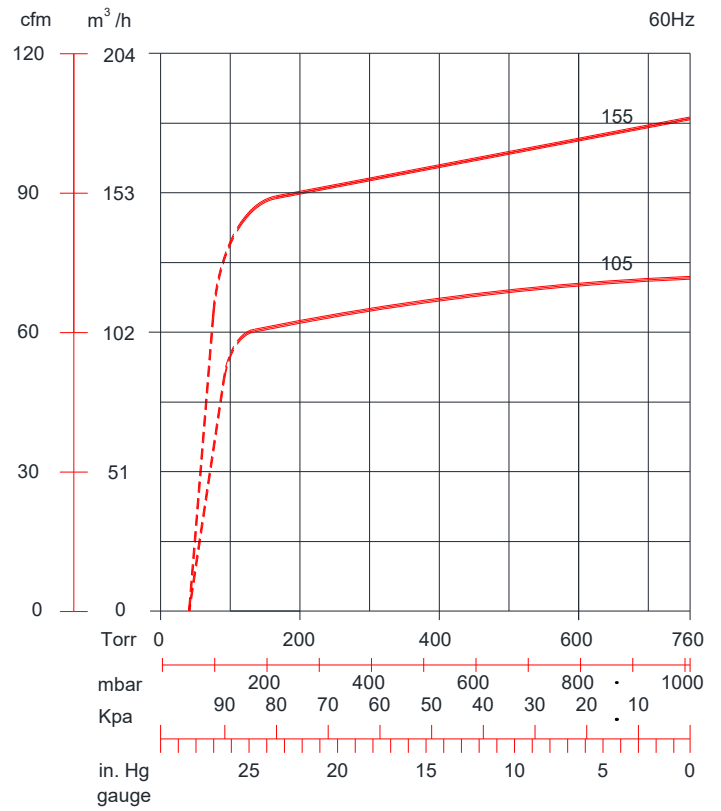
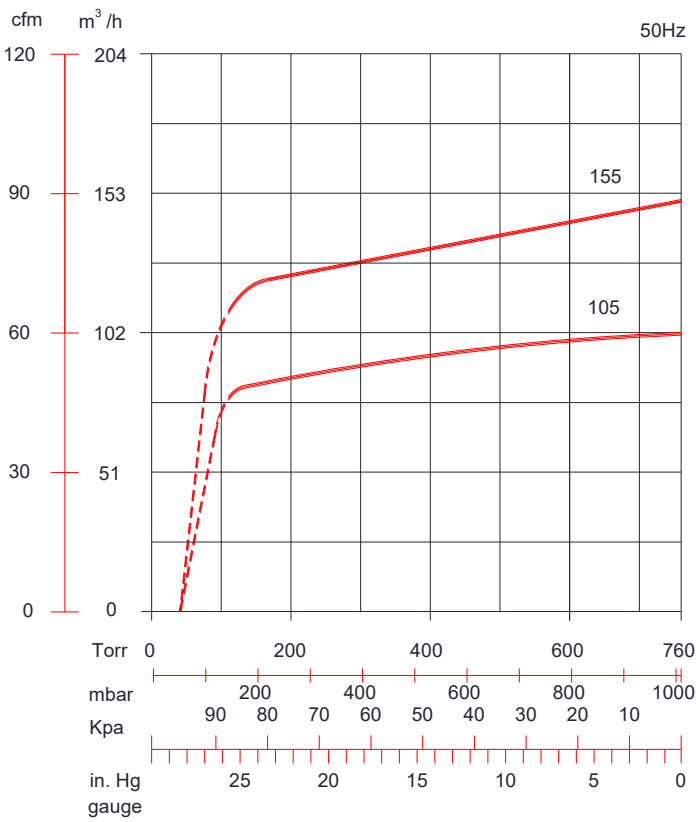
| Dimensiosn (mm) | L           | W         | H   | A   | B   | C   | D   | E   | F   | G   | I   | J   | M      | Q      |         |
|-----------------|-------------|-----------|-----|-----|-----|-----|-----|-----|-----|-----|-----|-----|--------|--------|---------|
| VCX-105         | 2.2Kw / 3Kw | 814 / 837 | 435 | 562 | 154 | 380 | 113 | 227 | 356 | 253 | 139 | 562 | 1-1/2" | 1-1/2" | M10 Tap |
| VCX-155         | 3Kw / 4Kw   | 837 / 862 | 435 | 562 | 136 | 380 | 113 | 227 | 356 | 253 | 139 | 562 | 1-1/2" | 1-1/2" | M10 Tap |

# VCX SERIES Claw Vacuum Pumps



## VCX- 105, 155

### Performance Curve



**VCX  
SERIES  
Claw Vacuum Pumps**

**VCX- 255, 305, 405 & 515**



**Dry Running - Oil Free – Contact Free Design**

- **Simple Modular Construction**
- **Air cooled & Direct Driven**
- **Low maintenance – No wear**
- **High Efficiency – Continuous Duty**

**Applications:**

Packaging, CNC Routing, Wood Works, Pneumatic Conveying, Holding & Lifting, Pick and Place, Medical & Lab., Plastics Industries, Central Vacuum Systems.

**Safety:** CE certified (DOC)



**General Description:**

The VCX Series pumps are dry contact-less vacuum pumps with modular constructions consisting of compartments: pumping and gear chambers are separated by using labyrinth seals., As two claws rotate in opposite direction, the air will be sucked in the pumping chamber, compressed and discharged under pressure. In gear chamber, two gears for synchronizing of claws rotation will be placed with appropriate oil lubrication. A built in anti-suck back valve installed in inlet flange will prevent the air from flowing back into the vacuum chamber when the pump is shutdown. The pumps are directly driven by a flanged motor via a coupling.

**Specifications:**

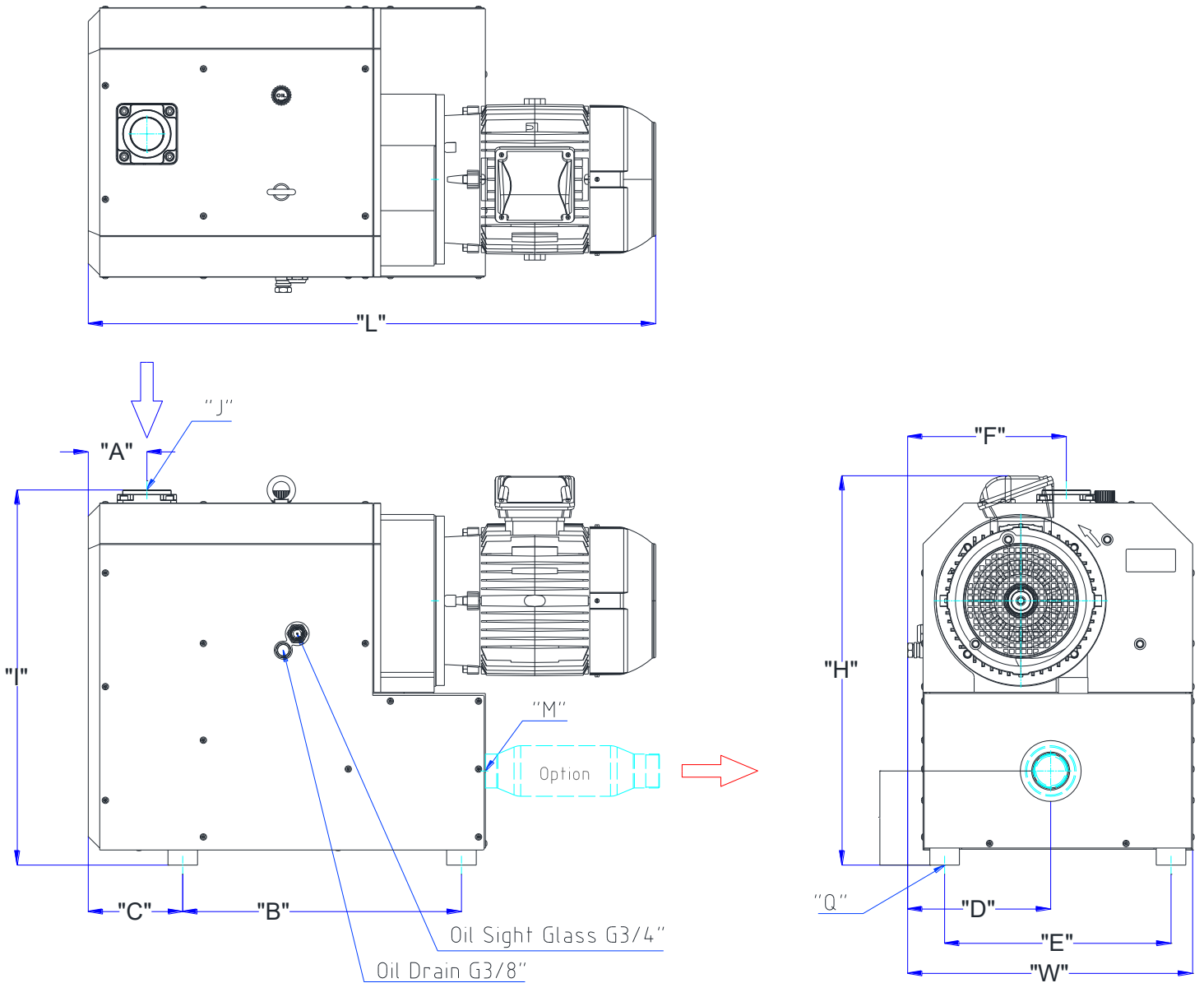
| Model                        |          | VCX 255  | VCX 305   | VCX 405   | VCX 515   |
|------------------------------|----------|--|-----------|-----------|-----------|
| M3/ Hour                     | 60Hz     | 300  | 360       | 480       | 600       |
|                              | 50Hz     | 250  | 300       | 400       | 500       |
| Ulti. Va. Max.               | Torr     | 722.5 Torr gage (50mbar abs )                        |           |           |           |
| Ulti. Va. Conti.             | Torr     | 610  |           |           |           |
| Kw                           | 60Hz     | 5.5  | 6.6       | 9         | 11        |
|                              | 50Hz     | 4.3  | 5.5       | 7.5       | 9         |
| RPM (motor)                  | 60/50Hz  | 3450 / 2850  |           |           |           |
| Voltage Available            |          | 208~230/460V, 220~240 / 380~420V, 400/690V           |           |           |           |
| dB(A), Max<br>+- 3 tolerance | 60Hz     | 80   | 80        | 80        | 82        |
|                              | 50Hz     | 78   | 78        | 78        | 80        |
| Oil Capa (Gear box)          | Ltr      | 0.9  |           | 1.8       |           |
| Inlet / Outlet Conn.         | **BSP(G) | 2"   |           | 3"        |           |
| W x H (mm)                   |          | 501 x 685  | 501 x 685 | 586 x 695 | 586 x 695 |
| L* (mm)                      | 60Hz     | 961  | 975       | 1105      | 1291      |
|                              | 50Hz     | 961  | 975       | 1065      | 1120      |
| Amb. Operating Temp.         | (°C)     | 5°C ~40°C  |           |           |           |
| Accessories                  |          | Non Return Valve, Vacuum Regulator, Exhaust Silencer |           |           |           |

Note: 1) \* Length varies to motor mfg 2) \*\*NPT threads available upon request

**VCX  
SERIES  
Claw Vacuum Pumps**

**VCX- 255, 305, 405 & 515**

**Dimensions**



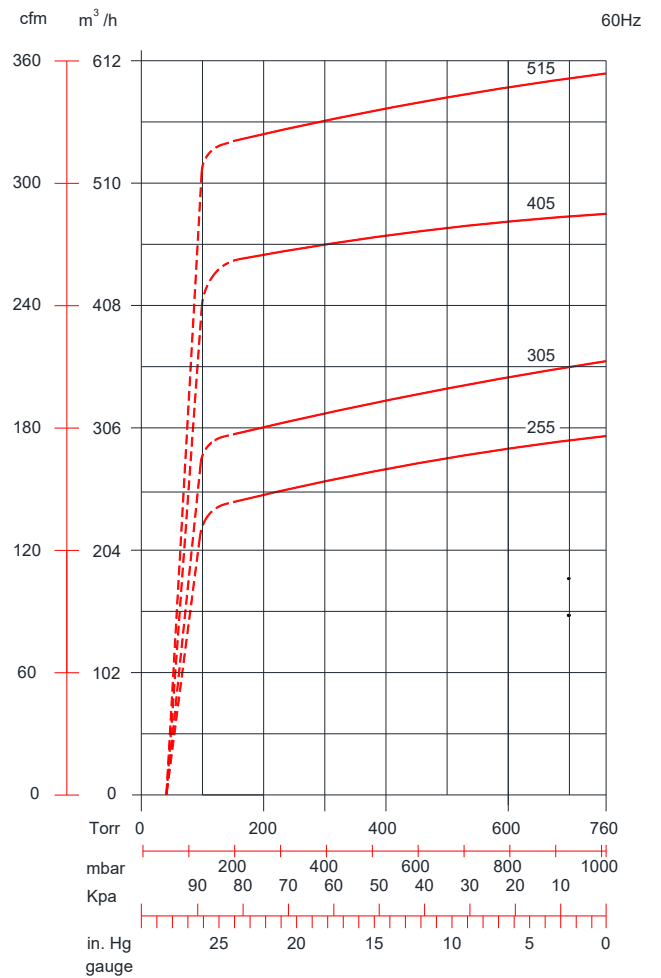
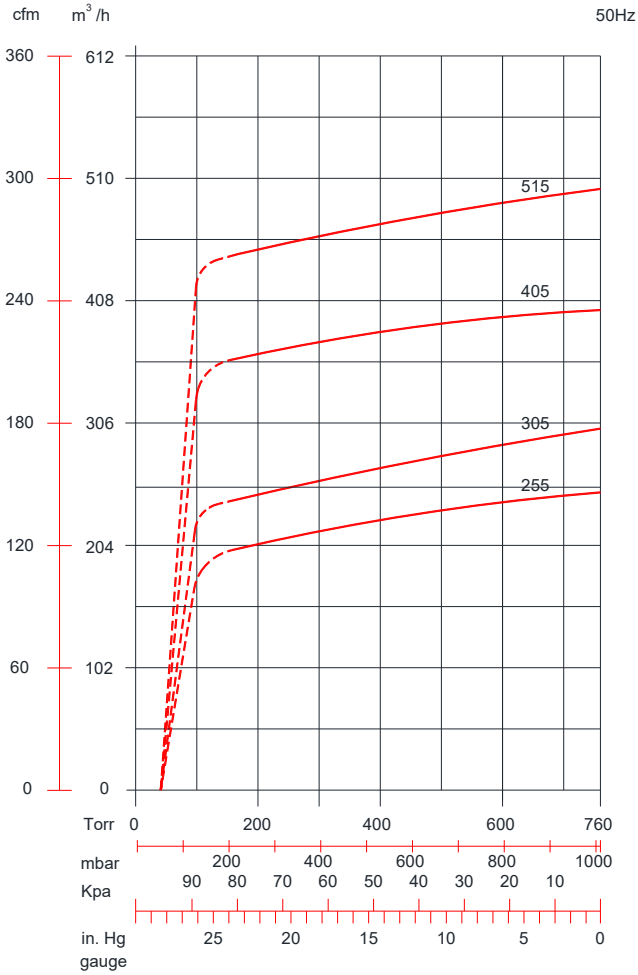
| Dimensiosn (mm) |               | L           | W   | H   | A   | B   | C   | D   | E   | F   | G   | I   | J  | M  | Q       |
|-----------------|---------------|-------------|-----|-----|-----|-----|-----|-----|-----|-----|-----|-----|----|----|---------|
| VCX-255         | 4.5Kw, 5.5Kw  | 961         | 501 | 685 | 103 | 490 | 166 | 252 | 398 | 279 | 166 | 660 | 2" | 2" | M10 Tap |
| VCX-305         | 5.5Kw, 7.5Kw  | 975         | 501 | 685 | 103 | 490 | 180 | 252 | 398 | 279 | 166 | 660 | 2" | 2" | M10 Tap |
| VCX-405         | 7.5Kw / 9.2Kw | 1065 / 1105 | 856 | 752 | 179 | 502 | 222 | 306 | 460 | 390 | 178 | 695 | 3" | 3" | M12 Tap |
| VCX-515         | 9.2Kw / 11Kw  | 1120 / 1290 | 586 | 752 | 179 | 502 | 238 | 306 | 460 | 390 | 178 | 695 | 3" | 3" | M12 Tap |

**VCX  
SERIES  
Claw Vacuum Pumps**



**VCX- 255, 305, 405 & 515**

**Performance Curve**



**VCX  
SERIES  
Claw Vacuum Pumps**



# VCX - 1005



**Dry Running - Oil Free – Contact Free Design**

- **Simple Modular Construction**
- **Air cooled & Direct Driven**
- **Low maintenance – No wear**
- **High Efficiency – Continuous Duty**

**Applications:**

Packaging, CNC Routing, Wood Works, Pneumatic Conveying, Holding & Lifting, Pick and Place, Medical & Lab., Plastics Industries, Industrial Central Vacuum Systems.

**CE certified**



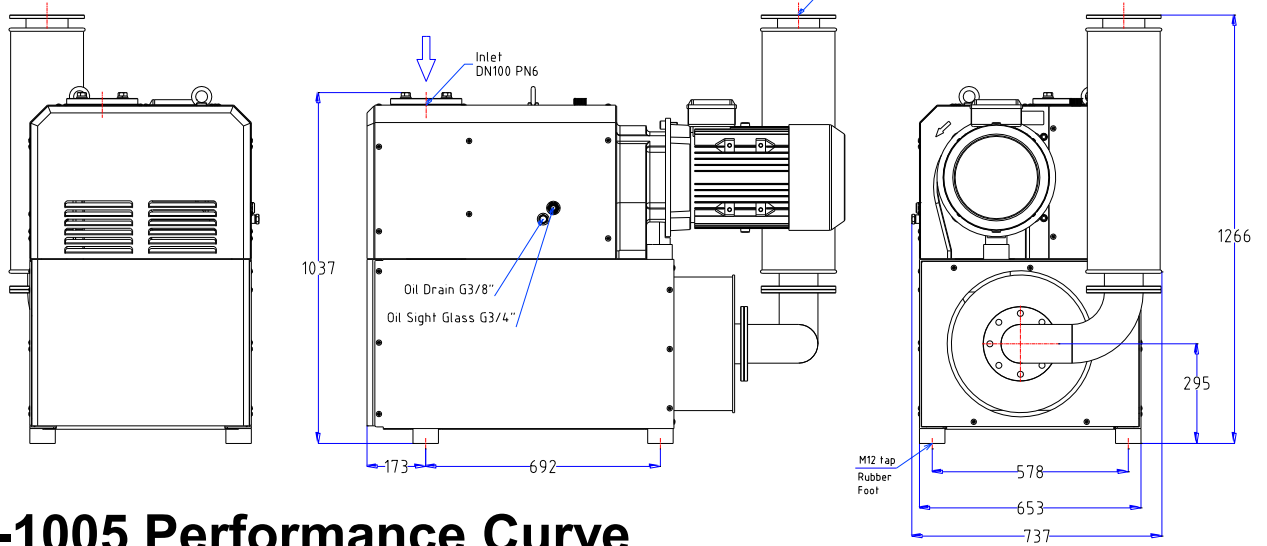
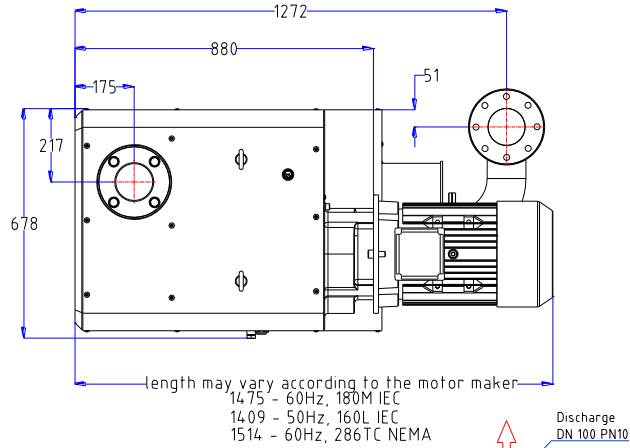
**General Description:**

The VCX Series pumps are dry contact-less vacuum pumps with modular constructions consisting of compartments: pumping and gear chambers are separated by using labyrinth seals. As two claws rotate in opposite direction, the air will be sucked in the pumping chamber, compressed and discharged under pressure. In gear chamber, two gears for synchronizing of claws rotation will be placed with appropriate oil lubrication. The pumps are directly driven by a flanged motor via a coupling. Configured with two silencers suitable for compact installation space. The 4" aluminum check valve for anti suck back and inlet filter (flanged) can be supplied separately. Ideally suited to use with Frequency Controlled Drives for energy saving.

**Specifications:**

| Model                                | <b>VCX 1005</b>   |                         |
|--------------------------------------|---|-------------------------|
| <b>M3 / Hour (cfm)</b>               | 60Hz  | 1140 (670cfm)           |
|                                      | 50Hz  | 950 (558cfm)            |
| <b>Ultimate Va. Max.</b>             | Torr (mbar a)   | 722.5 (50mbar a)        |
| <b>Ultimate Va. Continuous</b>       | Torr  | 610 (200mbar a)         |
| <b>Kw(Hp)</b>                        | 60Hz  | 22 (30Hp)               |
|                                      | 50Hz  | 18.5 (25Hp)             |
| <b>RPM</b>                           | 60/50Hz   | 3450/2850               |
| <b>Voltage Available</b>             | 220~240/380~420V x 50/60Hz, 400/690Vx 50Hz, 208~230/460V x 60Hz |                         |
| <b>dB(A), Max<br/>+- 3 tolerance</b> | 60Hz  | 85                      |
|                                      | 50Hz  | 82                      |
| <b>Oil Capacity (Gear box)</b>       | Ltr   | 2.8                     |
| <b>Inlet / Outlet Connection</b>     | Flange  | DN 100 PN6 / DN100 PN10 |
| <b>Amb. Operating Temp.</b>          | (°C)  | 5~40                    |
| <b>Accessories</b>                   | Non Return Valve, Vacuum Regulator, Exhaust Silencer            |                         |

# VCX-1005 Dimensions



# VCX-1005 Performance Curve

