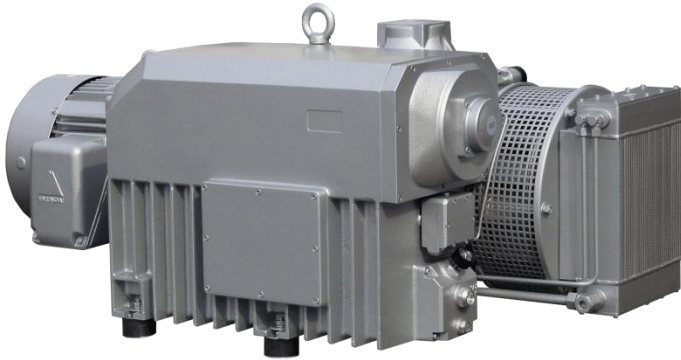


# WOVP SERIES Oil sealed Rotary Vane Vacuum Pump

## WOVP-1500

Single Stage, Oil Re-circulating, Air Cooled, and Direct Driven



- Compact Design - Reliability & Durability – Easy to maintain and operate.
- Simple Installation – Air Cooled No Water Required.
- Direct Drive – C-Face Design requires no belts
- Integral Exhaust Filter – Discharge Air 99.9% Oil Free
- Quite Operation.

**Standard Equipment:** Composite Vane, Wire mesh Inlet Filter Screen, Vibration Isolator, TEFC High Efficiency Motor, Anti-Suck Back Valve, Oil Level Sight Glass, Gas Ballast Valve, Spin-on Oil Filter, Exhaust Pressure Gauge.

**Optional Equipment:** Oil Level Switch (Port), Temperature Switch (Port), Heater, Water Cooler, and Float Valve Assembly for oil return,

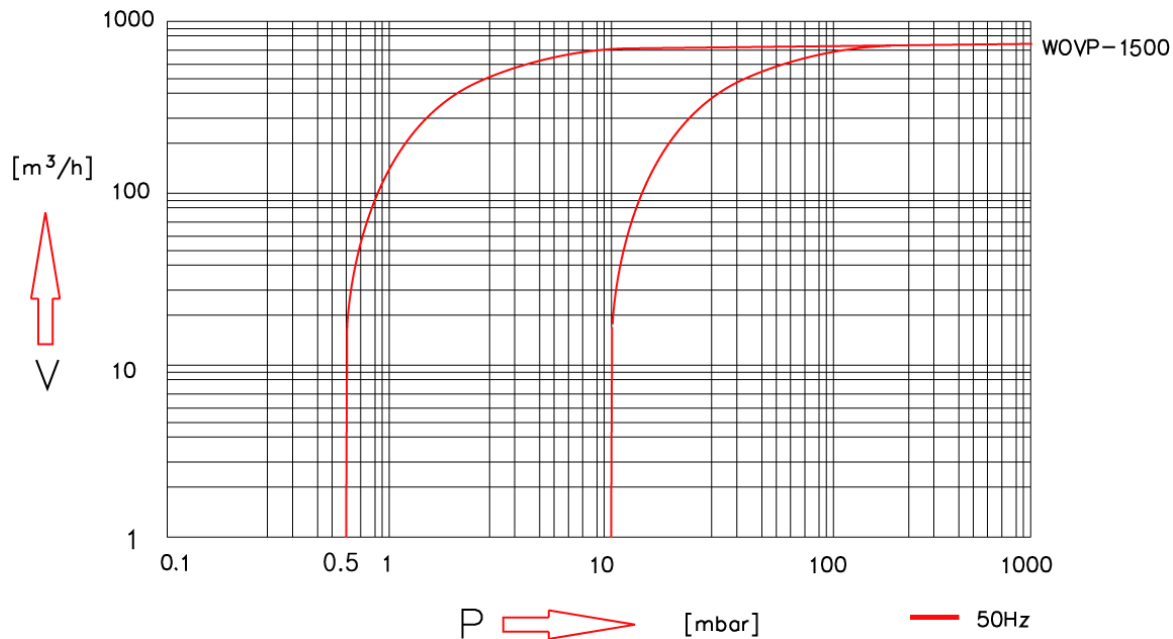
### • Specifications:

Models			1500
Displacement		M3/hour	750
End Vacuum	F version	mbar	< 0.5
	L version		10
Motor		50Hz	18.5
Revolution		50Hz	1500
Noise		50Hz	79
Operating Temp.	°C		85
Oil Capacity	Ltr		19
Connections	G(BSP) or NPT	Intake	3"
		Exhaust	3"
Weight	kg (with motor) for 50Hz motor		531

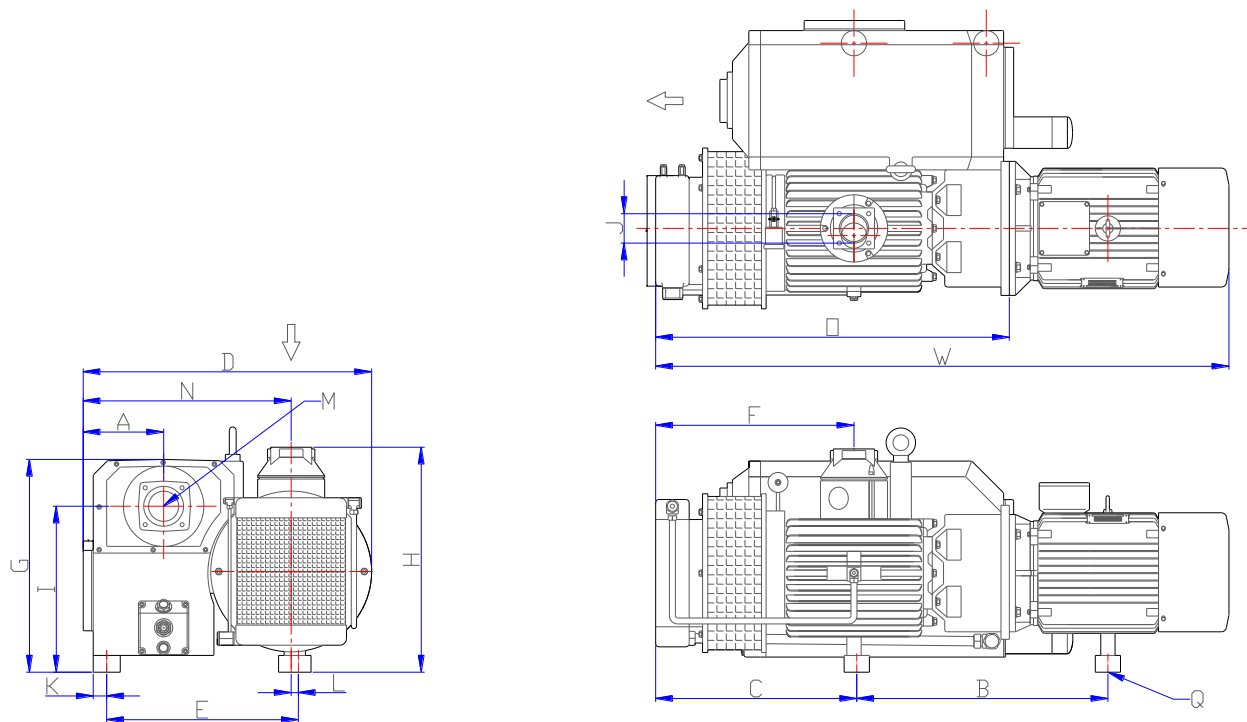
# WOVP SERIES Oil sealed Rotary Vane Vacuum Pump

## WOVP-1500

### Performance Curve



### Dimensions



DIMENSIONS	W	D	H	A	B	C	E	F	G	I	J	K	L	M	N	□	P	Q
WOVP-1500	1591	855	677	240	696 (676)	545	548	539	635	495	G3"	40	21.5	G3"	616	971	-	3x12