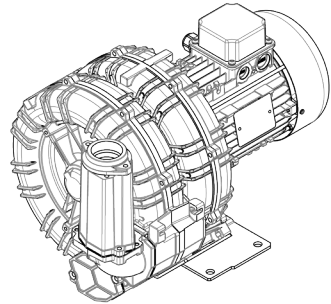


Technical Characteristics	
<ul style="list-style-type: none"> <li>- Aluminum alloy construction</li> <li>- Smooth operation</li> <li>- Maintenance free</li> </ul>	
Electric Motor	
<ul style="list-style-type: none"> <li>- Motors with IP 55 protection rating.</li> <li>- class F insulation, suitable for operating with inverter (refer to FPZ)</li> <li>- Thermal Protector (PTO) as standard</li> </ul>	
Options	
<ul style="list-style-type: none"> <li>- Special voltages (IEC 60038)</li> <li>- Surface treatments</li> <li>- Increased seal version</li> </ul>	

~3	[V] ( $\Delta$ / Y)	[Hz]
IE2	230 / 400	50
	265 / 460	60
Wide Range	200 - 240 / 345 - 415	50
	220 - 280 / 380 - 480	60

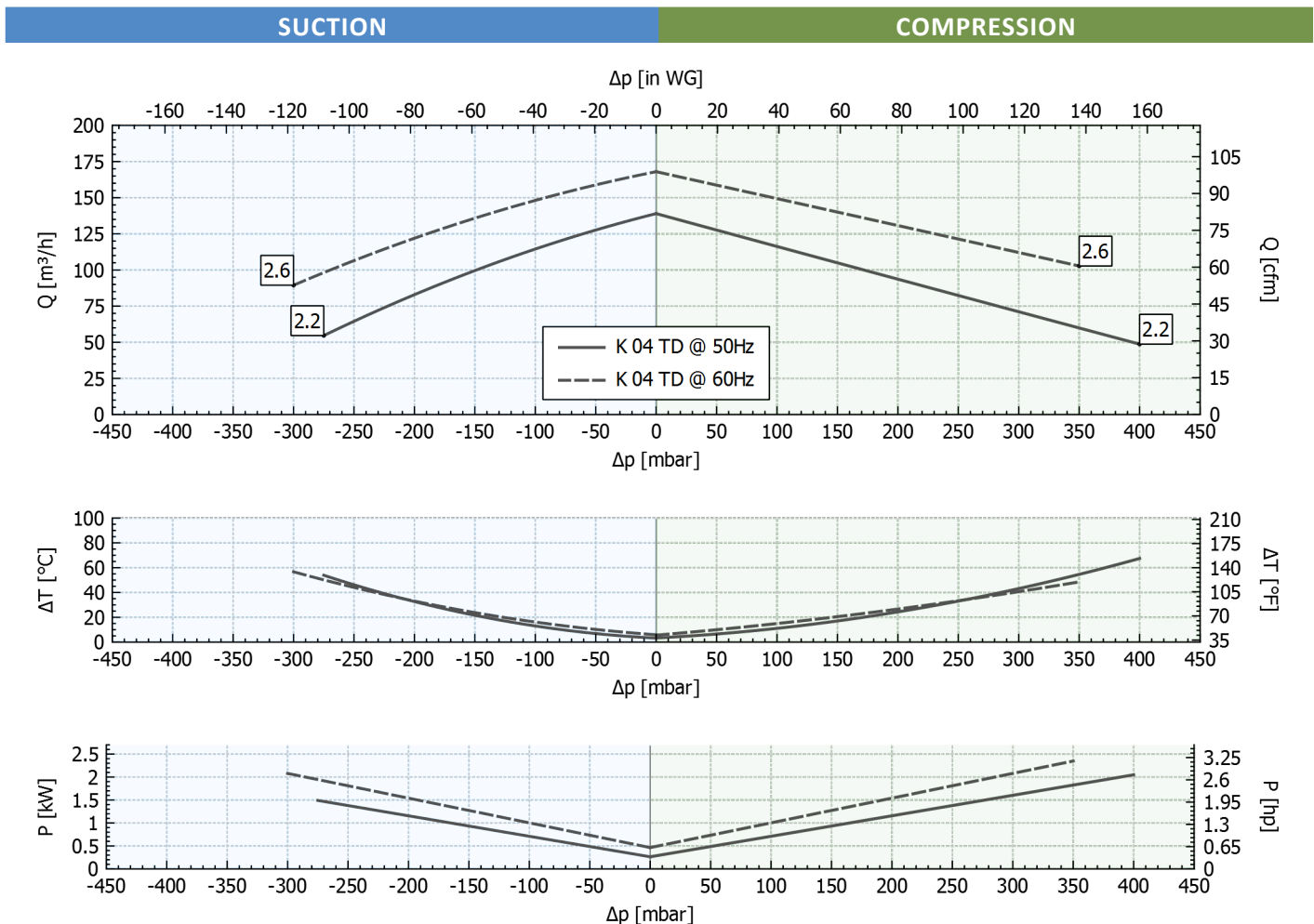
**Supply voltage - IE2 only at 50 Hz - Tolerance on the fixed voltage value  $\pm 10\%$ , in range  $\pm 5\%$ .**



### Performance Table

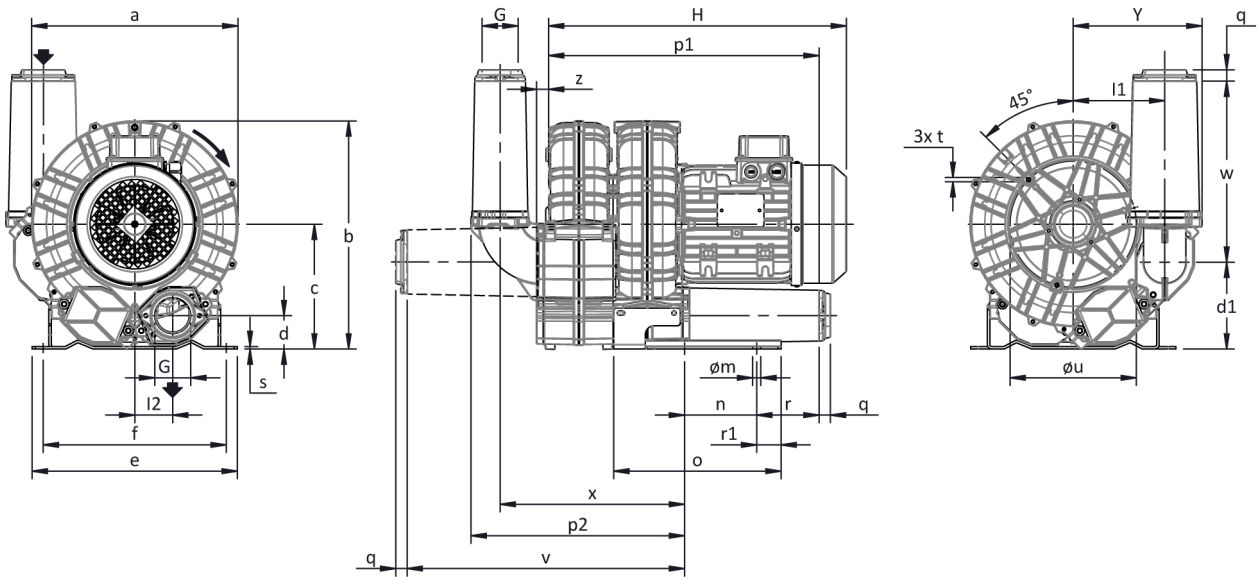
P <sub>n</sub> [kW]	Frequency [Hz]	$\Delta p_{max}$ [mbar]		Q <sub>max</sub> [m <sup>3</sup> /h]	Leq <sup>1</sup> [dB(A)]	Weight [kg]	H <sup>3</sup> [mm]	Current Consumption ( $\Delta$ / Y) [A]		Cos $\phi$ [-]	Speed [rpm]
		Suction	Compression					IE2 <sup>2</sup>	Range		
2.2	50	275	400	139	67.6	30.5	440	4.58 / 7.93	4.97-4.64 / 8.60- 8.04	0.82	2890
2.6	60	300	350	168	69.6	30.5	440	4.56 / 7.90	5.33-4.55 / 9.23- 7.88	0.84	3485

1. Noise level measured at a distance of 1 m with ducted intake and delivery, in accordance with Standard ISO 3744.  
 2. IE2 only at 50 Hz.  
 3. See figure "dimensions" at following page.



Tolerance on indicated values  $\pm 10\%$ .  
 Data subject to change without notice.  
 Curves referring to air at a temperature of 20 °C and atmospheric pressure of 1013 mbar (abs).

## Dimensions



For all assembly options refer to FPZ.  
 NOT Binding  
 Dimensions in mm

a	b	c	d	d1	e	f	G	l	l1	l2	m	n	o	p1	p2	q	r	r1	s	t	u	v	w	x	y	z
285	315	172	49	121	255	225	G 1" 1/2	-	123	51	12	95	171	316	254	18	70	15	4	M6	175	288	188	214	173	18

## INSTALLATION

- For proper operation of the machine, it must be provided with a suction FILTER and a vacuum/pressure limiting VALVE.
- Other accessories are available on request.
- Permissible ambient and fluid temperature in suction from -15 °C to +40 °C.
- Read the instruction manual carefully before installing the machine.