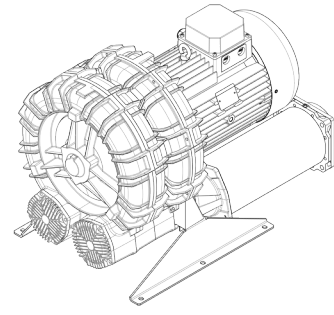


Technical Characteristics	
<ul style="list-style-type: none"> - Aluminum alloy construction - Smooth operation - Maintenance free 	
Electric Motor	
<ul style="list-style-type: none"> - Motors with IP 55 protection rating. - class F insulation, suitable for operating with inverter (refer to FPZ) - Thermal Protector (PTO) as standard 	
Options	
<ul style="list-style-type: none"> - Special voltages (IEC 60038) - Surface treatments - Increased seal version 	

~3	[V] (Δ / Y)	[Hz]
IE2	400 / 690	50
	460 / 795	60
Wide Range	345 - 415 / 600 - 720	50
	380 - 480 / 660 - 830	60

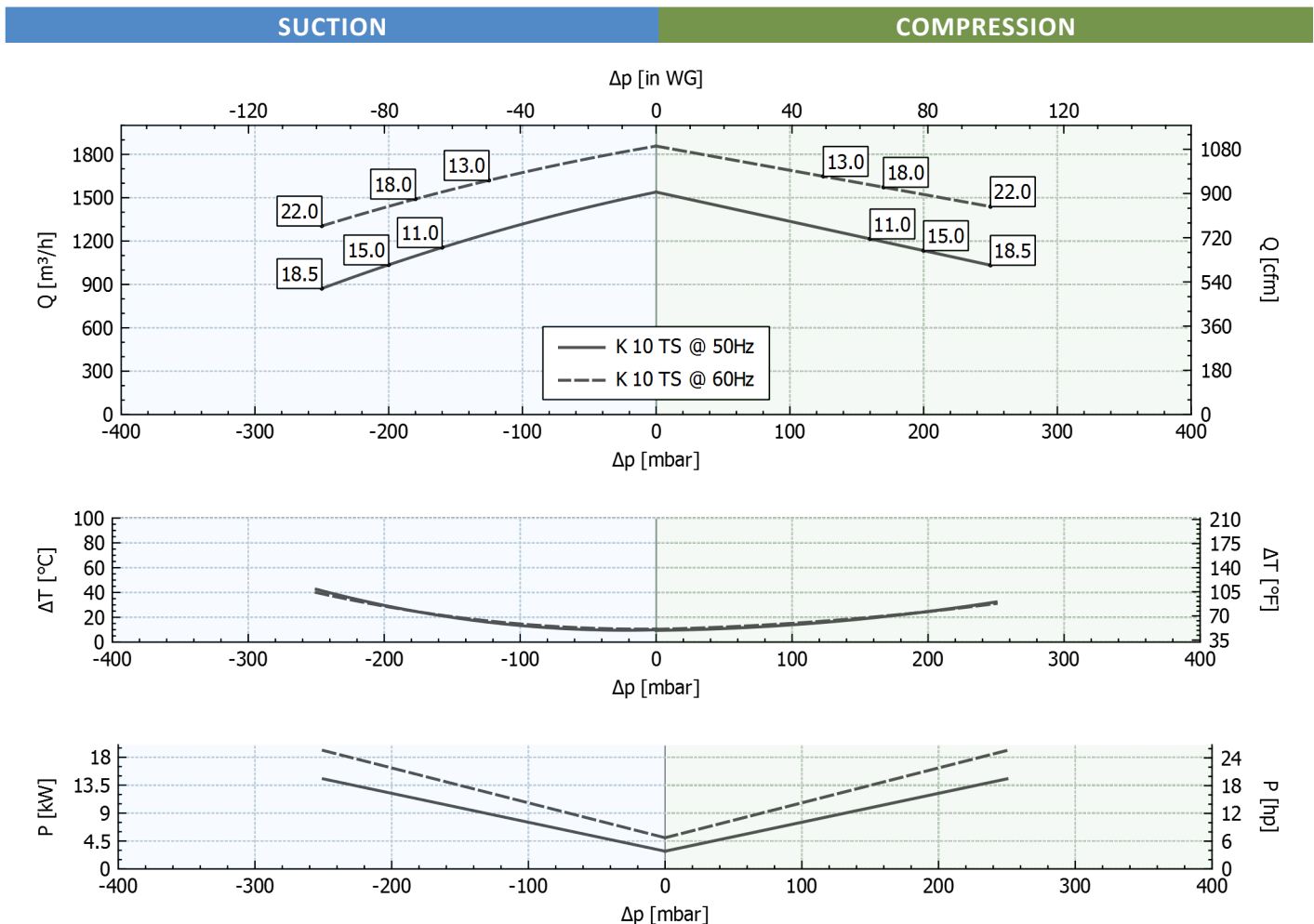
Supply voltage - IE2 only at 50 Hz - Tolerance on the fixed voltage value ± 10%, in range ± 5%.



Performance Table

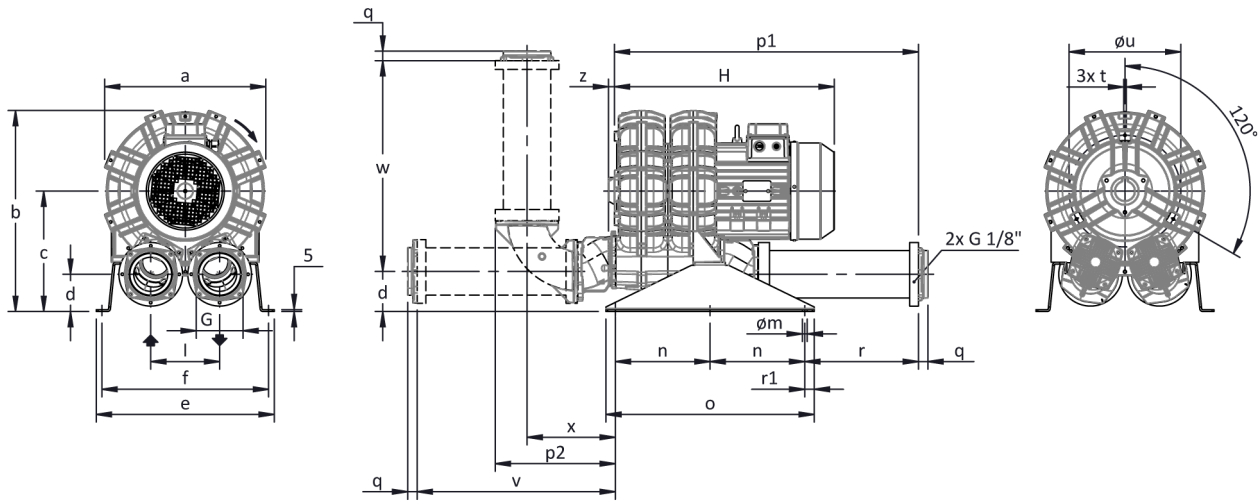
P _n [kW]	Frequency [Hz]	Δp _{max} [mbar]		Q _{max} [m ³ /h]	Leq ¹ [dB(A)]	Weight [kg]	H ³ [mm]	Current Consumption (Δ / Y) [A]		Cosφ [-]	Speed [rpm]
		Suction	Compression					IE2 ²	Range		
11	50	160	160	1539	87.1	139.5	650	12.53 / 21.7	13.0-12.9 / 22.6-22.3	0.81	2940
13	60	125	125	1857	89.1	139.5	650	12.2 / 21.2	13.8-12.4 / 23.9-21.4	0.84	3530
15	50	200	200	1539	87.1	172	740	16.25/ 28.14	17.7-16.5 / 30.6-28.6	0.84	2950
18	60	180	170	1857	89.1	172	740	15.6 / 27.0	18.2-15.5 / 31.6-26.8	0.87	3550
18.5	50	250	250	1539	87.1	179.5	785	20.7 / 35.9	21.7-21.7 / 37.6-37.5	0.81	2950
22	60	250	250	1857	89.1	179.5	785	20.4 / 35.4	23.3-20.7 / 40.3- 35.9	0.85	3550

1. Noise level measured at a distance of 1 m with ducted intake and delivery, in accordance with Standard ISO 3744.
 2. IE2 only at 50 Hz.
 3. See figure "dimensions" at following page.



Tolerance on indicated values ± 10%.
 Data subject to change without notice.
 Curves referring to air at a temperature of 20 °C and atmospheric pressure of 1013 mbar (abs).

Dimensions



Configuration with a vertical silencer is only available with the CK accessory kit; for all assembly options refer to FPZ.

NOT Binding
Dimensions in mm

a	b	c	d	d1	e	f	G	l	l1	l2	m	n	o	p1	p2	q	r	r1	s	t	u	v	w	x	y	z
516	623	365	112	-	510	478	G 5"	210	-	-	13	250	550	850	447	35	315	25	5	M8	360	558	608	337	-	16

INSTALLATION

- For proper operation of the machine, it must be provided with a suction FILTER and a vacuum/pressure limiting VALVE.
- Other accessories are available on request.
- Permissible ambient and fluid temperature in suction from -15 °C to +40 °C.
- Read the instruction manual carefully before installing the machine.